



CRANEX® Excel
CRANEX® Excel Ceph
CRANEX® Basex

CRANEX® Product family

 **SOREDEX**

Film panoramic X-ray units

CRANEX[®] Excel – panoramic excellence

CRANEX[®] Excel is a film-based panoramic dental unit with versatile imaging options bringing true value for the clinic. With CRANEX[®] Excel, one can take full- and reduced-width panoramic exposures, sinus exposures, partial panoramic exposures and TMJ exposures.

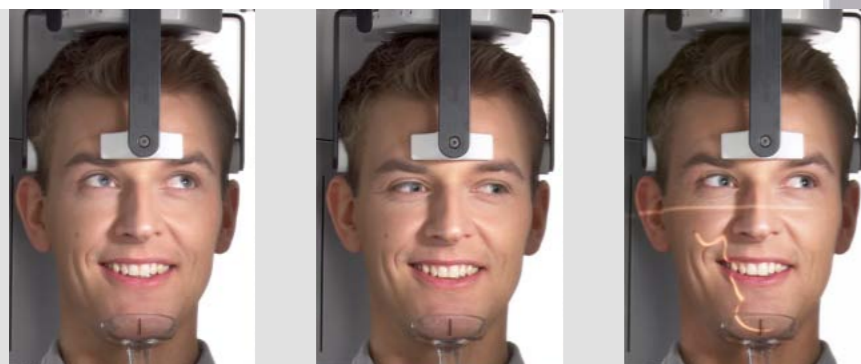


Ergonomical operation

- Easy and accurate patient positioning – without moving the patient.
- Rigid 4-point head support and bite block/chin rest system holds the patient's head firmly and comfortably during the exposure and allows excellent exposure repeatability.
- Three positioning lights (midsagittal, Frankfort, focal through).
- Large hinged mirror allows you to look directly at the patient and also see all the positioning lights.
- The rotating unit can be moved aside during positioning.
- Chin and lip support devices allow for more accurate and repeatable patient positioning.

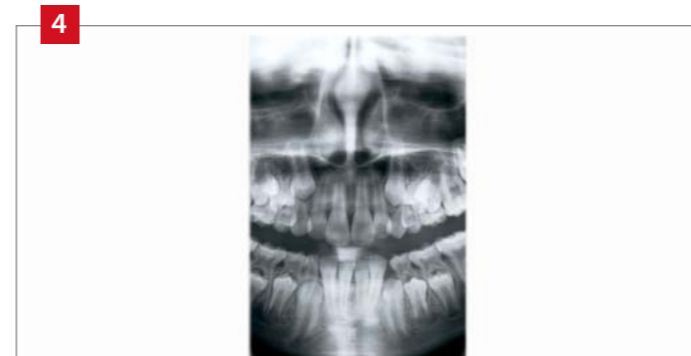


Motorized dual-speed vertical movement of the unit results in easy and exact height adjustment.



Three positioning lights for accurate patient positioning. Uniform density and automatic compensation mode are features of the unit.

True diagnostic value



CRANEX[®] Excel has various imaging modes selectable according to diagnostical requirements, resulting in minimized patient dose.

Wide range of most commonly used imaging modes:

- 1 adult panoramic
- 2 child panoramic
- 3 right and left side of dentition
- 4 middle of dentition
- 5 open and closed bilateral TM-joint program on a single film

CRANEX[®] Excel is the perfect choice for the dental clinic for survey and follow-up examinations.



CRANEX[®] Excel Ceph

A practical combination of CRANEX[®] Excel and permanently integrated cephalometric X-ray unit.

The head holder can be turned and locked in 45° steps for oblique projections.



Unique double tubehead design

Extremely easy to use

There is no doubt that CRANEX[®] Excel Ceph is extremely easy to use. Permanently attached cephalometric tube requires no extra assembly for teleradiography. Smooth functions of head support elements are gentle to the patient – especially important with pediatric patients.

Examples of the CRANEX[®] Excel Ceph cephalometric imaging modes



18 x 24 cm / 8 x 10"
Asymmetric Vertical



18 x 24 cm / 8 x 10"
Horizontal



18 x 24 cm / 8 x 10"
Symmetric Vertical

or optionally



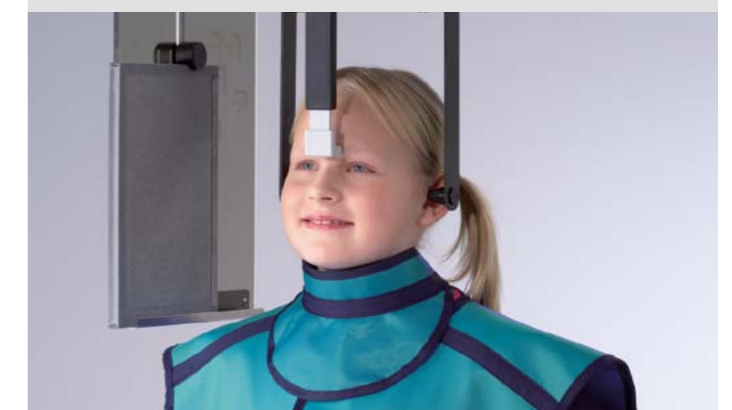
24 x 30 cm
Asymmetric Vertical



24 x 30 cm
Symmetric Vertical



24 x 30 cm
Asymmetric Horizontal



CRANEX® Basex

CRANEX® Basex is built to the same high standards as all of our other X-ray units and includes the same convenient and accurate patient positioning. CRANEX® Basex offers outstanding image quality at an economical price.

CRANEX® Basex has the adult panoramic and the child panoramic imaging modes.

Adult Panoramic



Child Panoramic

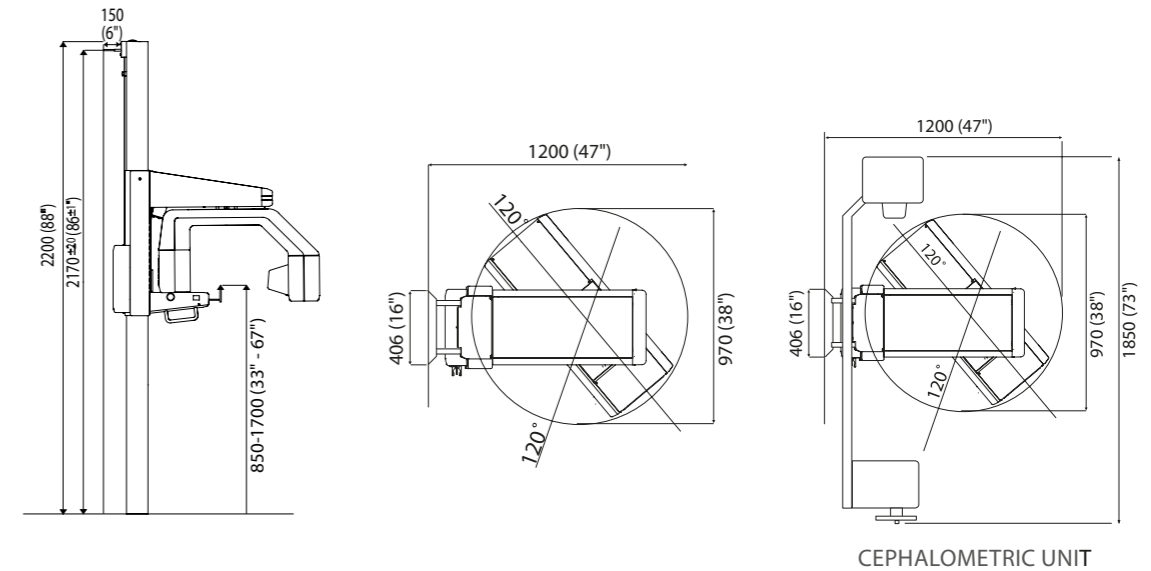


If the above imaging modes meet your requirements, your choice is CRANEX® Basex.

CRANEX® Basex is a basic panoramic unit. It has the most common imaging modes, the adult and child panoramic used in every day clinical work. The manual height adjustment, two positioning lights and the focal trough adjustment without numerical readout are the main differences compared to its "big brother" CRANEX® Excel. With CRANEX® Basex you can normally resolve most of the usual diagnostic tasks. It is the best choice to clinics where the patient base consists mostly of cases for the general practitioner and the x-rays are used mainly for survey examinations. The image quality is of the same high standard as with CRANEX® Excel.



Technical data



Technical data

Generator	High frequency DC generator, operating frequency 40 kHz
X-ray tube	OPX 105 or equal
Focal spot size	0.5 mm, IEC 336
Minimum total filtration	2.5 mm Al
Anode voltage	63 - 81 kV
Anode current	6 mA and 10 mA (4.5 mA and 7.5 mA in compensation mode)
Exposure time	19/16 s (50/60 Hz) panoramic 0.4 - 3.2 s cephalometric
SID	520 mm panoramic 1635 - 1700 mm cephalometric
Line voltage	230/240 Vac ±10% (50/60 HZ)
Fusing	8 A
Weight	150 kg (331 lbs) panoramic 195 kg (430 lbs) cephalometric
Colour	RAL 7035 and 9003
Electrical safety classification	IEC 60601-1 / UL 60601-1
Cassette sizes	15 x 30 cm (optionally 24 x 30 cm/10 x 12") panoramic 18 x 24 cm (8 x 10") cephalometric Optionally 24 x 30 cm (10 x 12") cephalometric

Head office and factory:

SOREDEX

Nahkelantie 160, Tuusula
P.O. Box 148, FI-04301 Tuusula
Finland
Tel. +358 10 270 2000
Fax +358 9 701 5261
info@soredex.com

SOREDEX USA

1245 W. Canal Street
Milwaukee, WI 53233
U.S.A.
Tel. +1 800 558 6120
Fax +1 414 481 8665
usainfo@soredex.com

SOREDEX Germany

Schutterstrasse 12
77746 Schutterwald
Germany
Tel: +49 (0) 781 28 41 98-0
Fax: +49 (0) 781 28 41 98-30
kontakt@soredex.de

Digital imaging made easyTM

www.soredex.com • www.soredex.de • www.soredex.com/usa

205552-3 06/12 Printed in Finland



Pride. Passion. Performance.

Since 1977 SOREDEX has been a leader in providing innovative imaging solutions for demanding professionals. Through continuous evolution and refinement we have set the highest industry standards for Quality, Reliability and Efficiency.

We are committed to following this path today and in the future.

SOREDEX®/CRANEX®/ Digital imaging made easy™ is a registered trademark / a common law trademark of SOREDEX. Other product names and trademarks are the property of their respective owners. CE-marked, NB (CE) number 0537. Electrical safety meets the IEC 60601-1 standard. Manufacturing complies with ISO 13485:2003, ISO 9001:2008, and ISO 14001:2004.

SOREDEX reserves the right to make changes in specifications and features shown herein at any time without notice or obligation. Contact your SOREDEX representative for the most up-to-date information.

© 2012 SOREDEX