

I AM  
PRACTICAL



X MIND  
one

A consistent image  
for a diagnosis  
at first view

# THE PERFECT COMBINATION OF AND INTELLIGENT SOFTWARE

X MIND  
one



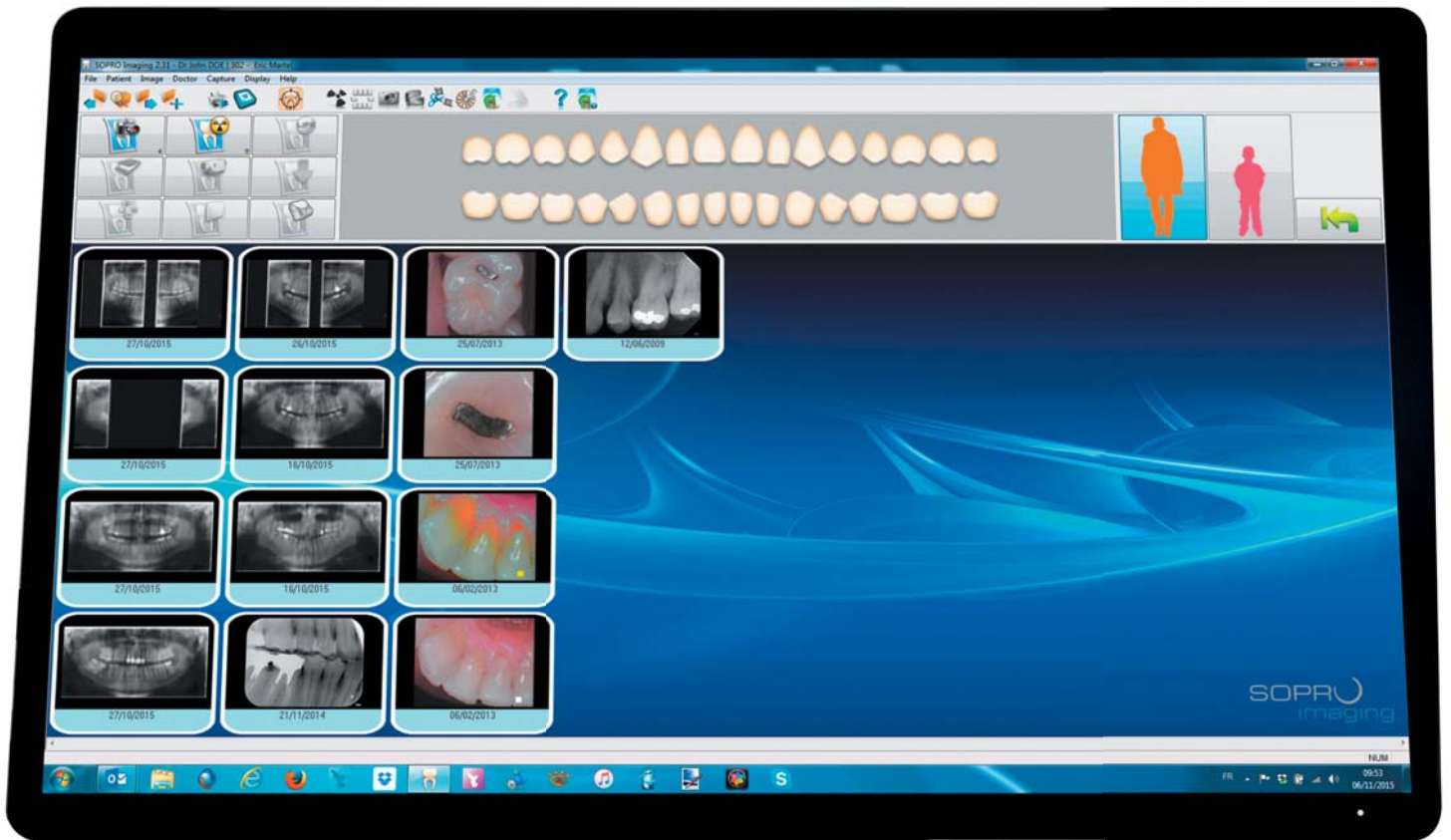
A FAST AND EASY-TO-USE UNIT  
DESIGNED FOR EXCELLENT  
2D IMAGE QUALITY

- Fast scanning times reduce the potential for movement artefacts
- Optimal automatic image processing produces a high quality image

# DIGITAL PANORAMIC

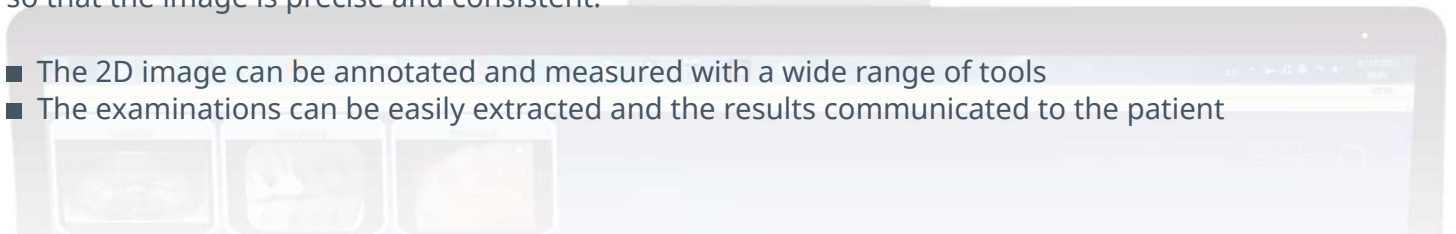
SOPRO  
imaging

IMAGE  
PRECISE & CONSISTENT



With Sopro Imaging, the high quality 2D images produced with X-MIND One can be treated and filtered so that the image is precise and consistent.

- The 2D image can be annotated and measured with a wide range of tools
- The examinations can be easily extracted and the results communicated to the patient



# A QUICK PROCEDURE FOR OUTST

## FAST 3-STEP PROCESS

Rapid exposure times and the X-MIND ONE's ease of operation will dramatically improve workflow in your practice.

It takes only 9 seconds to take a panoramic exposure on an adult and 8 seconds on a child. A simple and fast 3-step process facilitates instant image evaluation and optimal workflow.

**1 Patient stable positioning**

**2 Fast exposure time: quick procedure**

**3 High resolution images**



COMPACT DESIGN

Compact design



Rapid scanning time



High resolution images



5 imaging programs



Touch screen panel



Network connected

# ANDING IMAGES

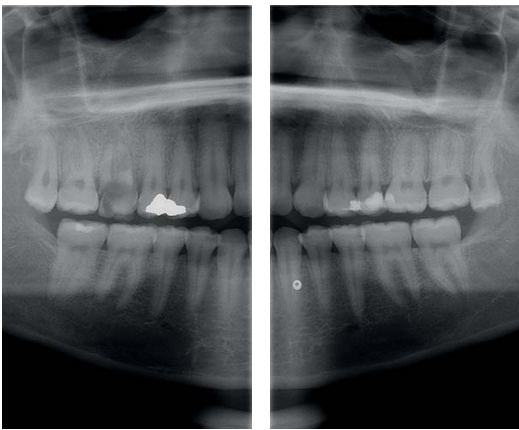
## FIVE IMAGING PROGRAMS WITH AUTOMATIC KV SELECTION



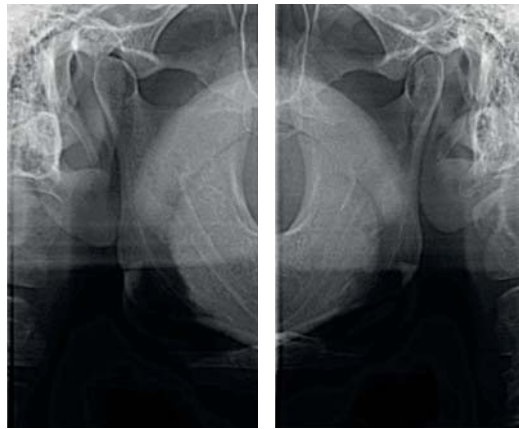
ADULT PANORAMIC PROGRAM



CHILD PANORAMIC PROGRAM



BITEWING PROGRAM



TMJ PROGRAM



SECTIONAL  
PROGRAM

# THE REASONS TO PREFER XMIND

ADULT  
PANORAMIC  
PROGRAM



# ONE

1 HIGH QUALITY IMAGES  
with maximised and automated information processing

2 ACCURATE PANORAMIC EXAMINATIONS  
time saving for you and your patients

3 IMPROVED COMMUNICATION  
with your patients regarding the proposed treatment plan

4 REDUCED EXPOSURE TIME  
AND EASE OF USE  
improve your efficiency with X-Mind One

5 STABLE PATIENT POSITIONING  
a sharp image at first view

# TECHNICAL SPECIFICATIONS

## SYSTEM

Generator High frequency \_\_\_\_\_ DC generator  
Focal spot size \_\_\_\_\_ 0.5mm  
Minimum total filtration \_\_\_\_\_ 2.6mm Al  
Anode voltage \_\_\_\_\_ 63-77 kV  
Anode current \_\_\_\_\_ 10 mA (8mA in 100 VAC)  
Line voltage \_\_\_\_\_ 220-240 VAC, 100-120 VAC  
(50/60 Hz)  
Electrical safety classification \_\_\_\_\_ IEC 60601-1  
class 1/B

## SCREEN

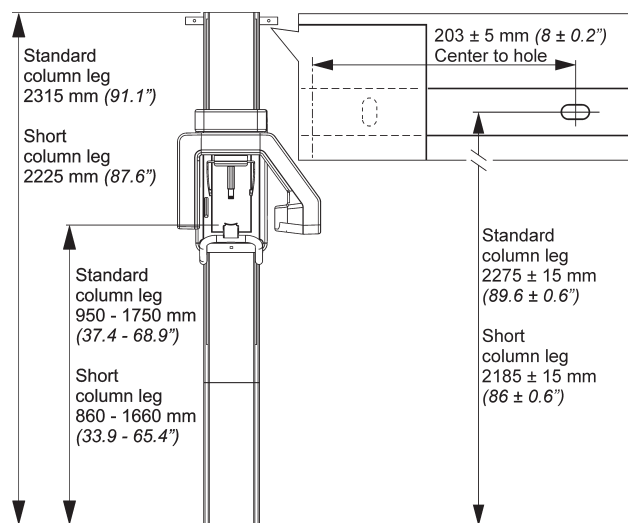
Sensor \_\_\_\_\_ CCD  
Active sensor surface \_\_\_\_\_ 147.5 x 6.1mm  
Sensor pixel size \_\_\_\_\_ 48µm  
Image pixel size \_\_\_\_\_ 96µm  
Image resolution \_\_\_\_\_ 6.25 lp/mm  
Image field height \_\_\_\_\_ 147mm  
File size max \_\_\_\_\_ 9.5 MB

## MINIMAL RECOMMENDED CONFIGURATION

Operating system \_\_\_\_\_ Windows 8, Windows 7  
RAM \_\_\_\_\_ 512 MB  
Hard disk \_\_\_\_\_ >20 GB HDD  
Processor \_\_\_\_\_ Pentium 4 or equivalent  
Ethernet board \_\_\_\_\_ 10/100 Mbit/s NIC

## MISCELLANEOUS

PC connection \_\_\_\_\_ LAN/Ethernet  
Exposure time \_\_\_\_\_  
9 sec. / adult panoramic  
8 sec. / child panoramic  
Weight \_\_\_\_\_ 120kg (265lbs)  
Color \_\_\_\_\_ RAL 9003, RAL 9006



X-Mind One®, panoramic extra oral imaging device. This medical device is classified IIB according to the current applicable European Directive. It is CE marked. Notified Body: VTT - CE 0537. This medical devices dedicated to dental cares is restricted to health staff ; it is not reimbursed by health insurance organizations . This device was developed and manufactured according to the EN ISO 13485 quality control certification system. Read carefully the user manual . Manufacturer: Soredex (Finland). Date of creation: January 2016.

